

# Speakeasy Installation Instructions

Note: All sides of the Speakeasy should be finished in your desired finish prior to installation.

Model No. ERSPESKIT

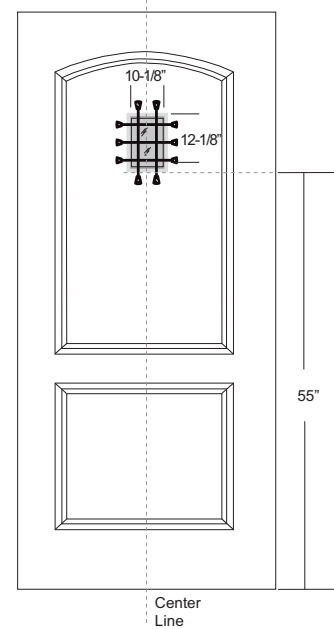
This Speakeasy kit fits 1-3/4" 6'8" or 8'0" Knotty Alder doors.

This kit includes:

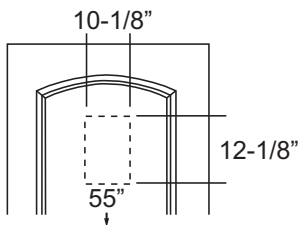
- Exterior trim frame
- Interior frame with weatherstrip
- Clear glass
- Interior frame with door and bolt latch
- 10 clavos
- Exterior Cast Iron Grate

Tools:

- Measuring tape
- Finish nails or brads
- Drill with 3/32" drill bit
- Cutting tool
- Rubber mallet or hammer and wood block



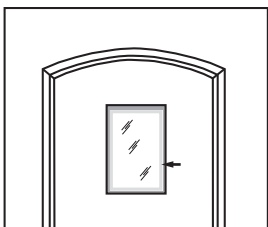
## Cut Opening in the Door



- Place the door on a flat, clean and dry surface exterior side up.
- From the center of the door, measure a rectangle 10-1/8" wide by 12-1/8" tall. The bottom of the rectangle should be 55" from the bottom of the door. The marked rectangle should be slightly larger than the thinner exterior frame of the Speakeasy.
- Cut out the measured rectangle.

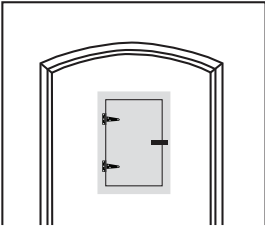
## Install Exterior Frame

- From the exterior side of the door, insert the thinner frame (10" x 12") in the hole. Secure with at least two nails per side on the face of the frame.
- Turn the door over, from the interior side of the door, place the glass in the hole. The tempered glass mark on the glass should be on the bottom left corner facing you. Note: make sure to remove the protective plastic coating from the glass prior to installation.
- Insert the frame with the weatherstrip. The gasket should be facing down toward the glass.



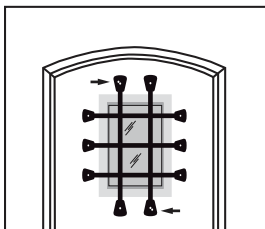
## Speakeasy Installation Instructions (continued)

### Install Interior Frame with Door and Bolt Latch



- Insert the frame with the door. The door of the speakeasy typically swings in the same direction as the door itself.
- Apply gentle pressure to the outer frame so it fits snugly against the door. While applying pressure secure the frame with the gasket to the frame with the door along each side. Also secure the frame with the door with two nails on each side on the inside of the frame.

### Install Exterior Grate



- Turn the door over, from the exterior side of the door place the grate over the center of the frame. Using a 3/32" drill bit, pre-drill pilot holes in the off-set holes on the top left leg and bottom right leg. Secure the grate with screws using the pre-drilled holes.
- Using a 3/32" drill bit, pre-drill pilot holes approximately 3/4" deep using the centered holes on each leg as a guide. Using a rubber mallet or hammer with a block of wood tack the clavos into each hole.